

# Hybrid Pro Counter 03

## HPC-03

All Hybrid Pro™ Modular counters feature accessible storage and locking doors. Purchased printed fabric graphics or rigid infill panels allow for your messaging and branding.



## features and benefits:

- White laminate cabinet
- UV graphic
- Locking storage door in back
- Laminated counter top in choice of color
- Easy step-by-step instructions
- Kit includes laminated cabinet, locking storage door, one molded case
- Lifetime hardware warranty against manufacturer defects

## dimensions:

| Hardware  | Graphic   |
|---|---|
| <p>Assembled unit:<br/>39.375" w x 36.625" h x 15.75" d<br/>1000mm(w) x 930.27mm(h) x 400mm(d)</p> <p>Counter holds max weight 50 lbs / 22.68 kgs</p>   | <p>Total visual area:<br/>(UV Graphic - Rollable)<br/>Front Panel:<br/>37.25" w x 35.18" h</p> <p>Door Graphic:<br/>31.62" w x 31.75" h</p> <p>Please be sure to include a .5" bleed around the perimeter.</p> <p>If ordering Hybrid Pro Kit 10, please design on the door template. If ordering free-standing counter, please design on both the front and the door template.</p> <p>Refer to related graphic templates for more information</p> |
| Shipping  |   |
| <p>Shipping dimensions - requires 1 MCW43:<br/>Nimlok® MCW43 case: 49" l x 39" h x 15" d<br/>1245mm(l) x 991mm(h) x 381mm(d)</p> <p>Approximate shipping weight (entire kit):<br/>92 lbs / 41.7 kgs</p> |   |

## additional information:

Graphic material:  
UV graphic

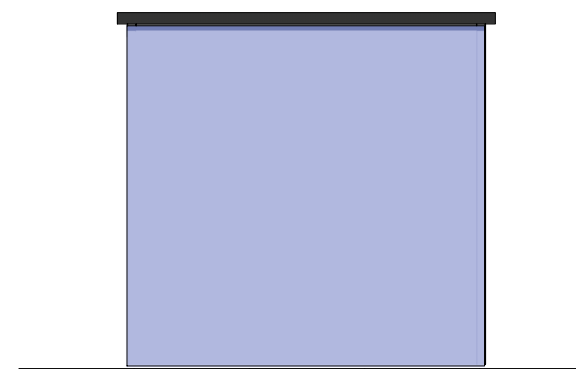
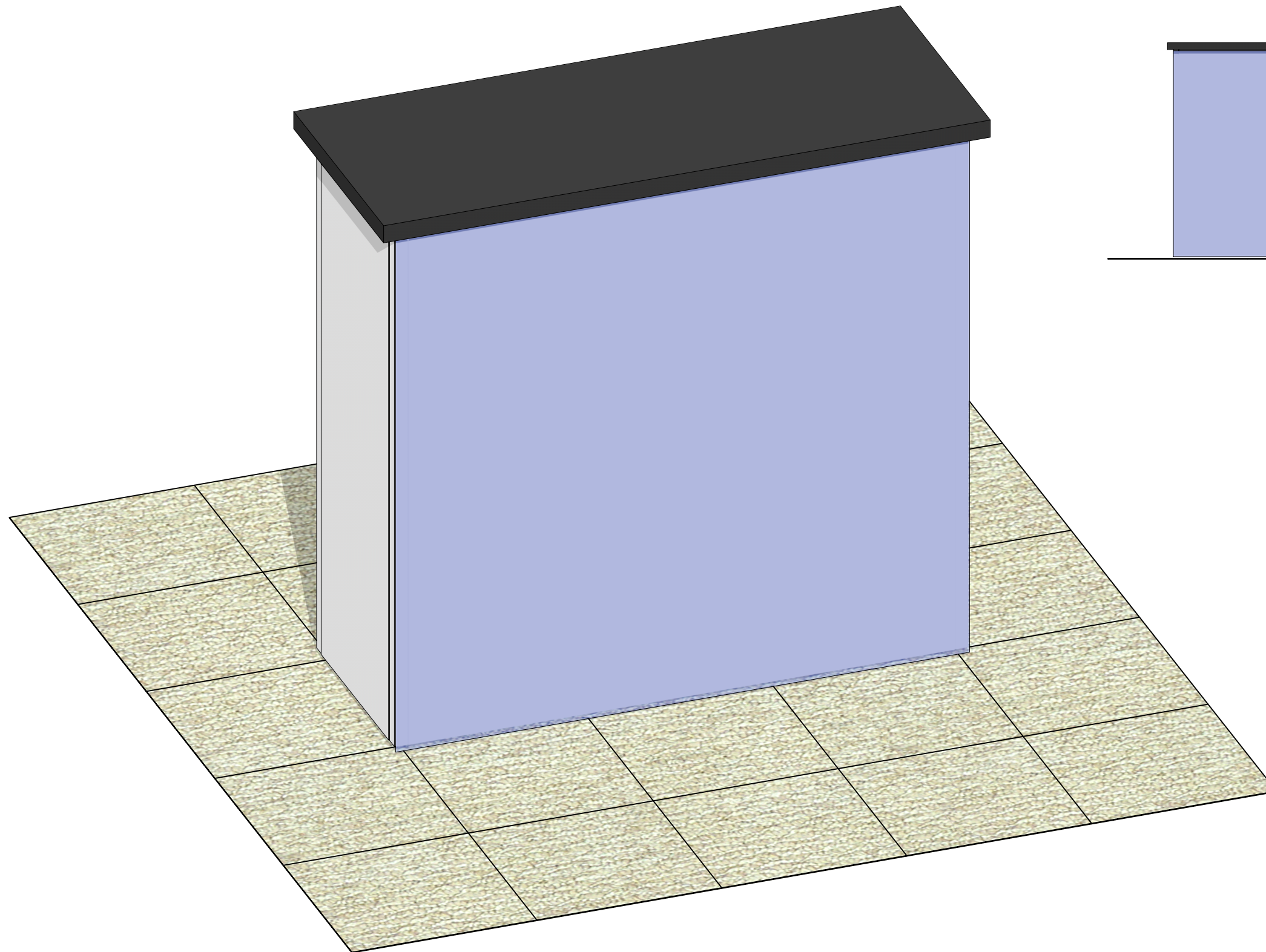
Tabletop colors options:



2010 Hancock Street  
San Diego, CA 92110  
800.697.4670  
info@beautifuldisplays.com

We are continually improving and modifying our product range and reserve the right to vary the specifications without prior notice. All dimensions and weights quoted are approximate and we accept no responsibility for variance. E&OE. See Graphic Templates for graphic bleed specifications.

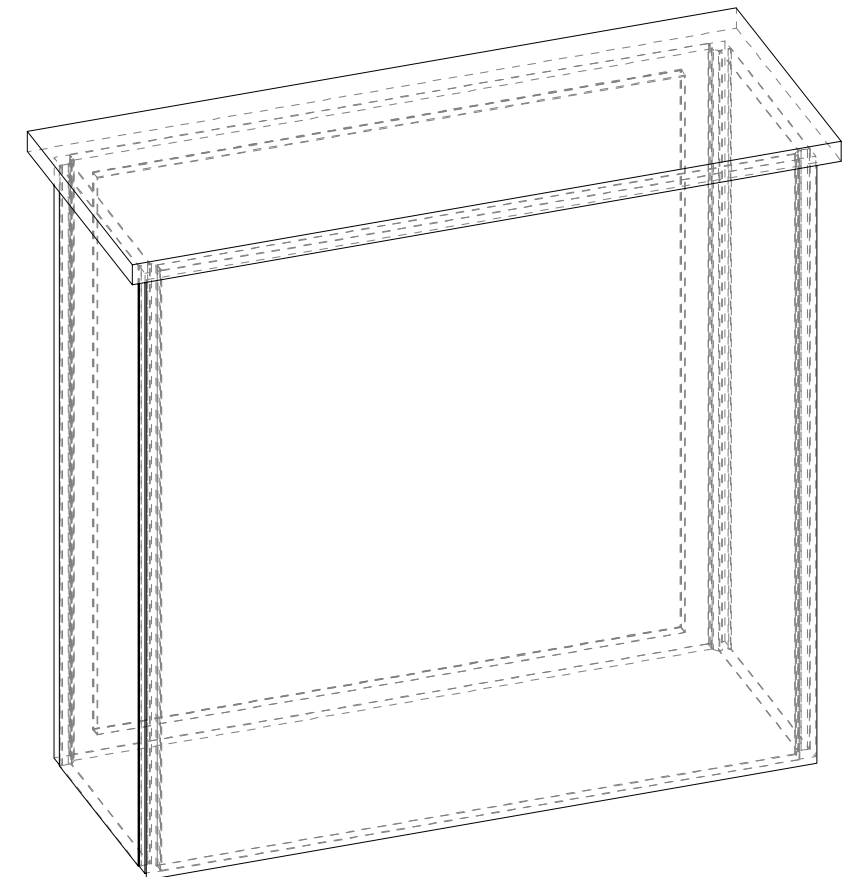
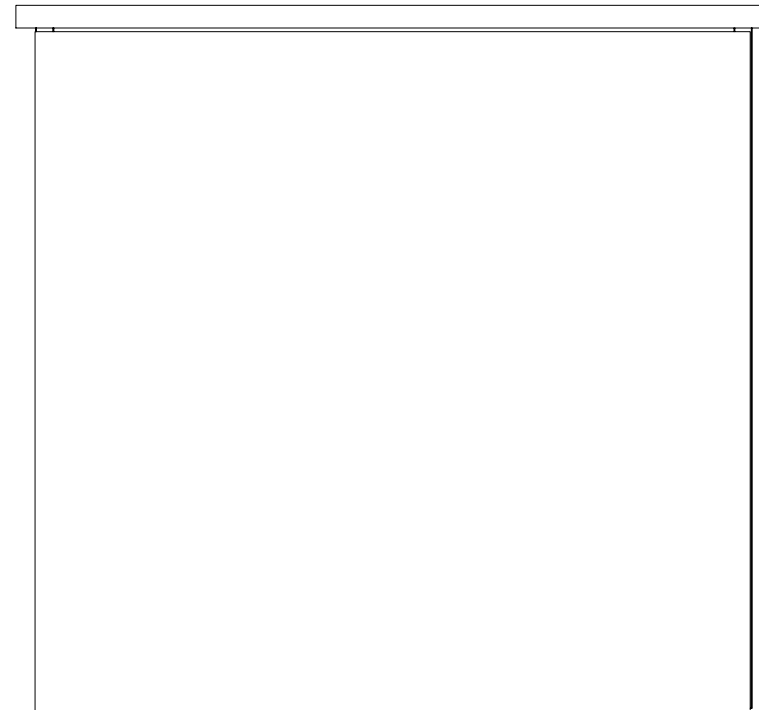
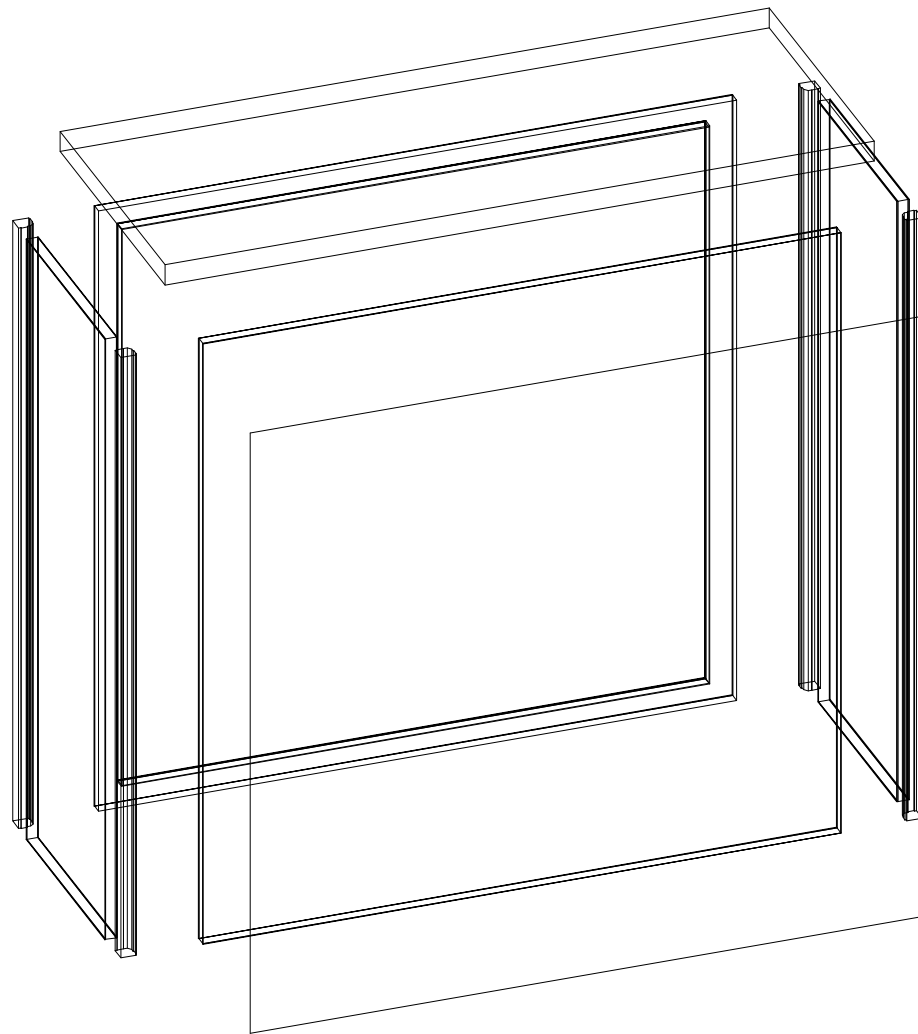
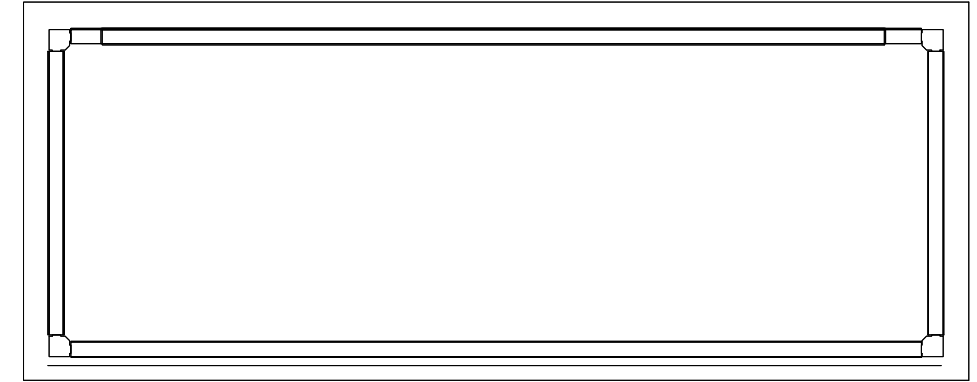
**R-HPC-03**



| Code           | # | Description   |
|----------------|---|---|
| R58            | 2 | 3 X 1 (900MM X 300MM) LAMINATE PANEL  |
| R57            | 1 | 3 X 3 (900MM X 900MM) LAMINATE PANEL  |
| L90S-900       | 4 | 900MM (35.43") 90 DEGREE SILVER LINK EXTRUSION90 DEGREE                                 |
| CT-42L         | 1 | 4' X 2' LAMINATE COUNTER TOP  |
| R56            | 1 | 900MM V x 900MM W LAMINATE CABNET DOOR  |
| GRAPHIC D1 -D2 | 1 | 35.18" (H) X 37.25" (W) ROLLABLE DETACHABLE DSG GRAPHIC WITH MAGNET ON BACK PERIMETER□□ |

# BOM

R-HPC-03

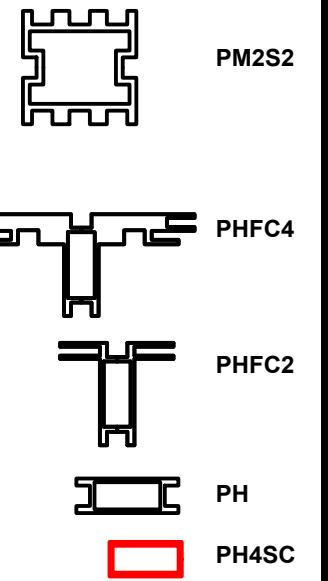
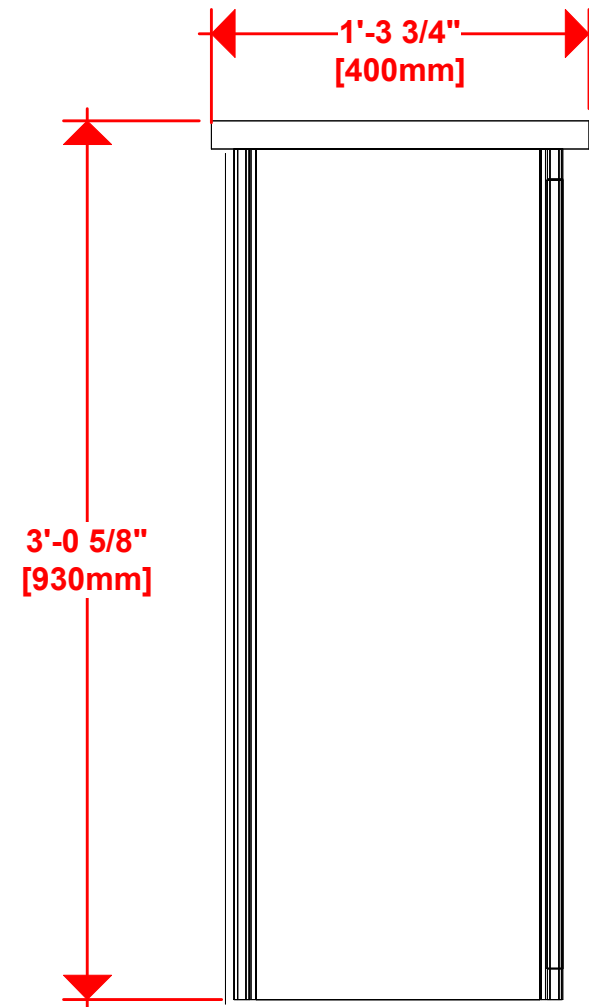
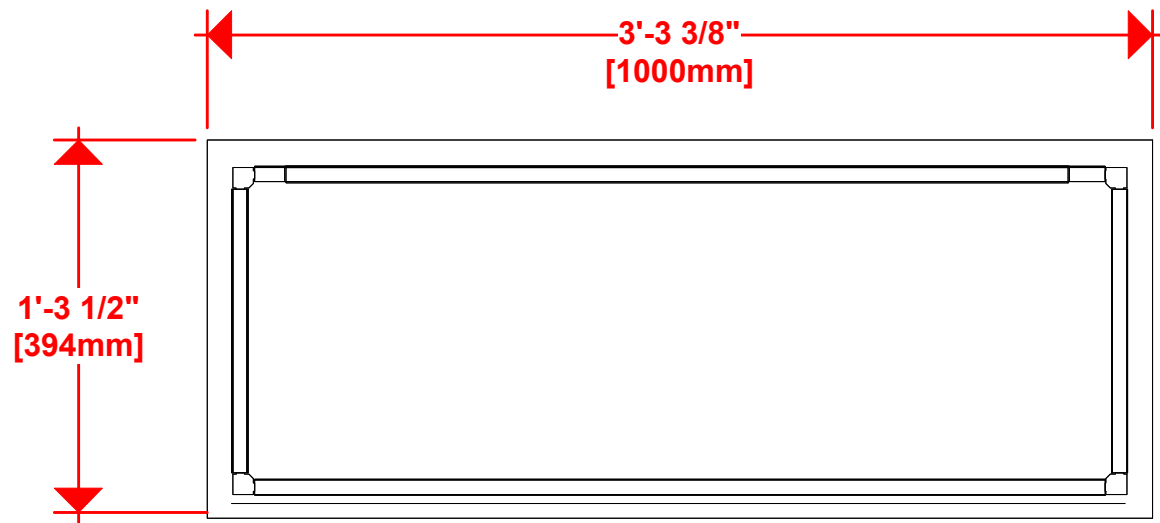


1. Redesign of this exhibit without approval by manufacturer may result in dangerous and unsafe structures. Manufacturer disclaims any responsibility for redesigned exhibits it does not approve in writing.

2. Parts and components such as panels and extrusions are manufactured to metric sizing. Where ever possible sizes have been noted in feet and inches as well as in metric. Below is the imperial to metric sizing table as reference. \*Nominal" refers to approximate size.

|                    |                                   |
|--------------------|-----------------------------------|
| 2400mm = (94 1/2") | ☒ Phone Line / Fax                |
| 2100mm = (82 5/8") | ☒ Internet connection             |
| 1800mm = (70 7/8") | ☒ Outlet                          |
| 1500mm = (59")     | ☒ Main Drop (point of distrution) |
| 1200mm = (47 1/4") |                                   |
| 900mm = (35 1/2")  |                                   |
| 600mm = (23 5/8")  |                                   |
| 300mm = (11 7/8")  |                                   |

--- Wire running under carpet



**HYBRID PRO RENTAL KIT**

Title: SET-UP INSTRUCTIONS

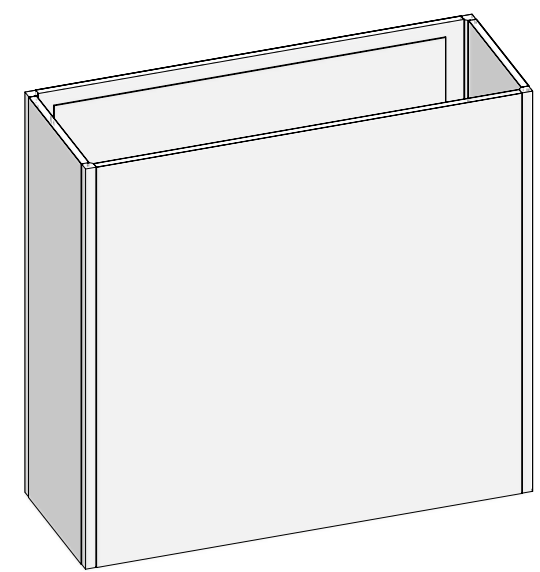
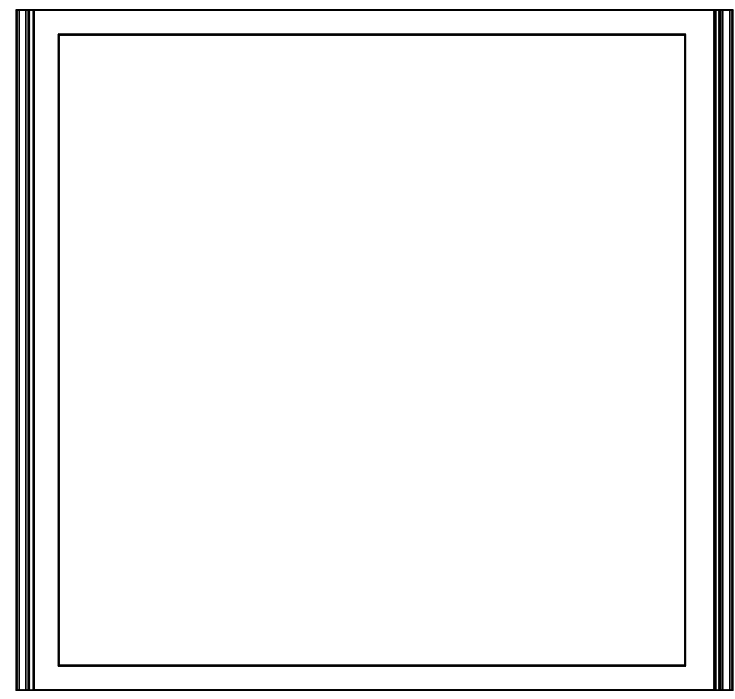
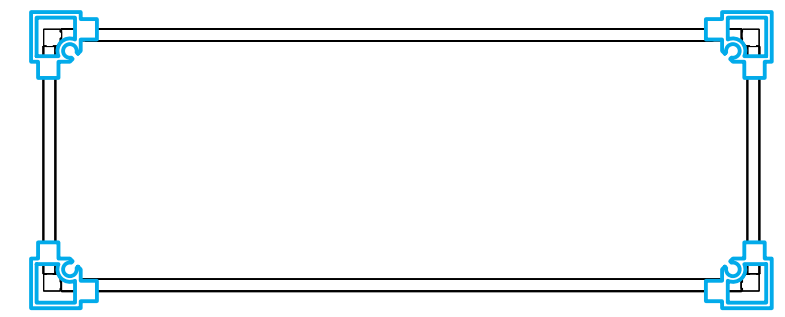
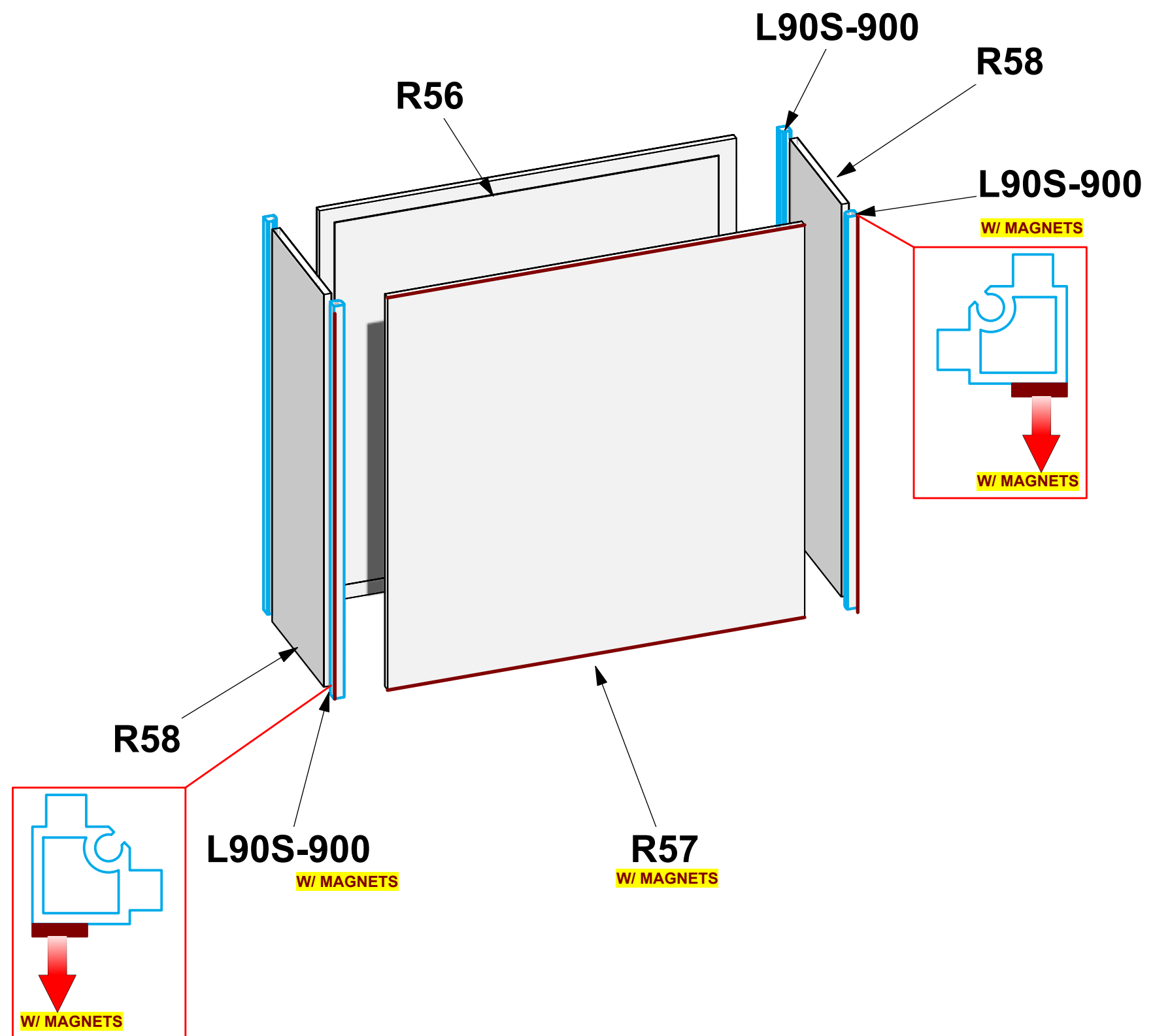
| Code     | # | Description  |
|----------|---|--|
| R58      | 2 | 3 X 1 (900MM X 300MM) LAMINATE PANEL                     |
| R57      | 1 | 3 X 3 (900MM X 900MM) LAMINATE PANEL                     |
| L90S-900 | 4 | 900MM (35.43") 90 DEGREE SILVER LINK EXTRUSION 90 DEGREE |
| R56      | 1 | 900MM V x 900MM W LAMINATE CABINET DOOR                  |

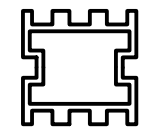
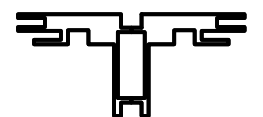
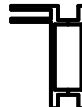


1. Redesign of this exhibit without approval by manufacturer may result in dangerous and unsafe structures. Manufacturer disclaims any responsibility for redesigned exhibits it does not approve in writing.

2. Parts and components such as panels and extrusions are manufactured to metric sizing. Where ever possible sizes have been noted in feet and inches as well as in metric. Below is the imperial to metric sizing table as reference. "Nominal" refers to approximate size.

|                    |                                 |
|--------------------|---------------------------------|
| 2400mm = (94 1/2") | Phone Line / Fax                |
| 2100mm = (82 5/8") | Internet connection             |
| 1800mm = (70 7/8") | Outlet                          |
| 1500mm = (59")     | Main Drop (point of distrution) |
| 1200mm = (47 1/4") |                                 |
| 900mm = (35 1/2")  |                                 |
| 600mm = (23 5/8")  |                                 |
| 300mm = (11 7/8")  |                                 |

--- Wire running under carpet

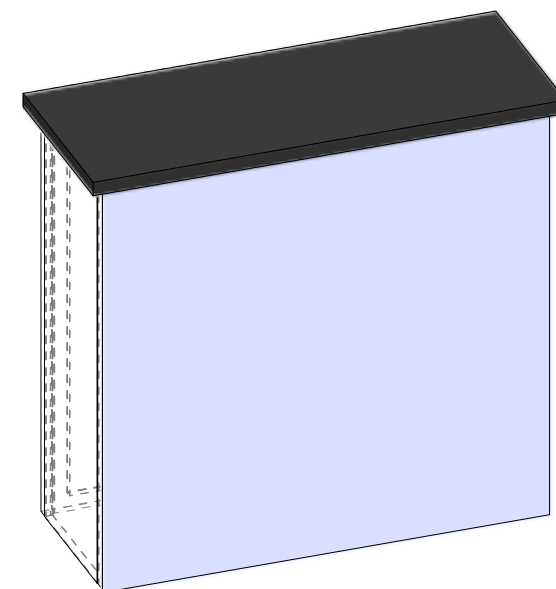
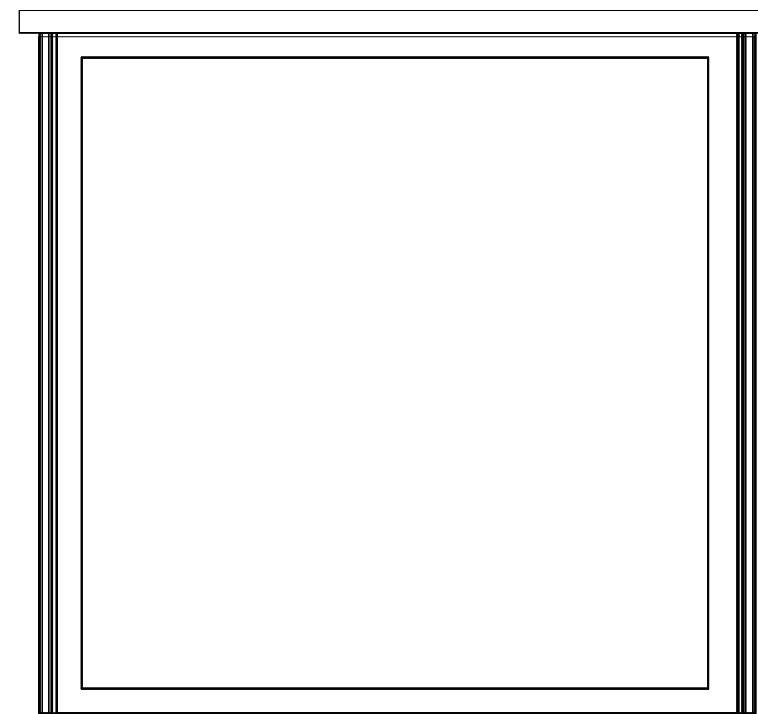
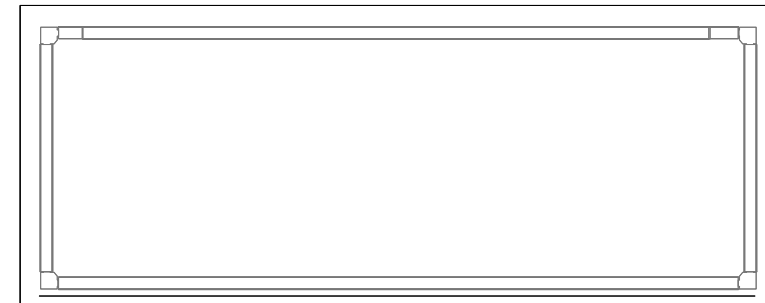
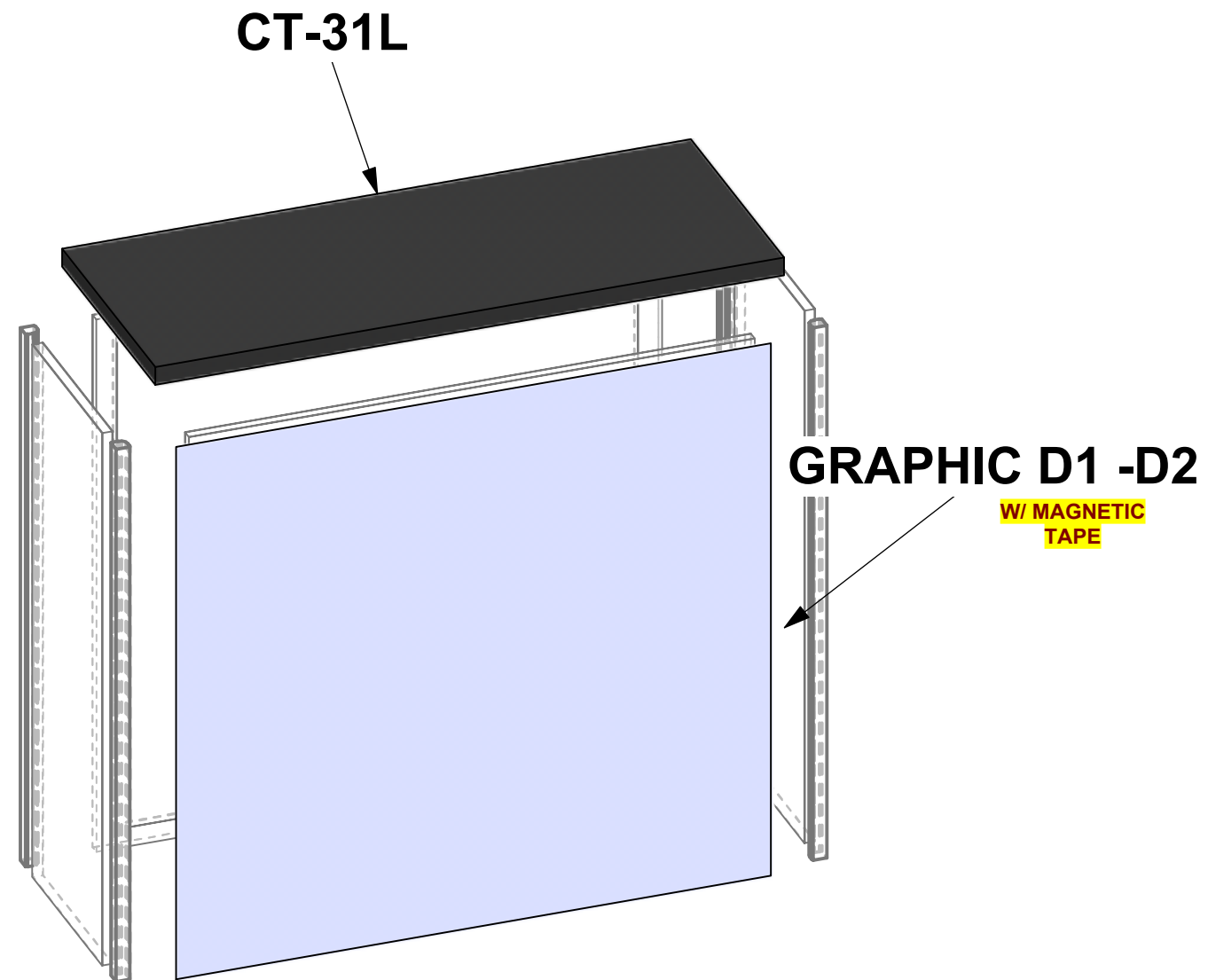


-  PM2S2
-  PHFC4
-  PHFC2
-  PH
-  PH4SC

**HYBRID PRO RENTAL KIT**

Title: SET-UP INSTRUCTIONS

| Code           | # | Description   |
|----------------|---|---|
| CT-31L         | 1 | 3' X 1' LAMINATE COUNTER TOP  |
| GRAPHIC D1 -D2 | 1 | 35.18" (H) X 37.25" (W) ROLLABLE DETACHABLE DSG GRAPHIC WITH MAGNET ON BACK PERIMETER |

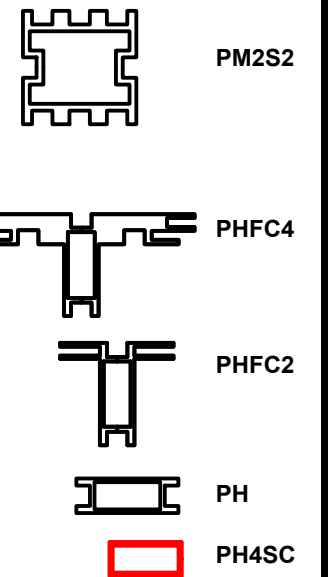


1. Redesign of this exhibit without approval by manufacturer may result in dangerous and unsafe structures. Manufacturer disclaims any responsibility for redesigned exhibits it does not approve in writing.

2. Parts and components such as panels and extrusions are manufactured to metric sizing. Where ever possible sizes have been noted in feet and inches as well as in metric. Below is the imperial to metric sizing table as reference. "Nominal" refers to approximate size.

|                    |                                 |
|--------------------|---------------------------------|
| 2400mm = (94 1/2") | Phone Line / Fax                |
| 2100mm = (82 5/8") | Internet connection             |
| 1800mm = (70 7/8") | Outlet                          |
| 1500mm = (59")     | Main Drop (point of distrution) |
| 1200mm = (47 1/4") |                                 |
| 900mm = (35 1/2")  |                                 |
| 600mm = (23 5/8")  |                                 |
| 300mm = (11 7/8")  |                                 |

--- Wire running under carpet



HYBRID PRO RENTAL KIT

Title: SET-UP INSTRUCTIONS

# **PACKING INSTRUCTIONS**





1

(1) R57, (1) R58



2

(1) R56, (1) R58



5

(1) SET KEY  
(1) BOOKLET



3

(1) 33 GRAPHIC



4

CT-31L, (4) L90S-900

# CASE # 1

| LEGEND |   |
|--------|---|
|        | GREY FOAM FOLDED TO FILL EMPTY SPACES OR USED AS PROTECTION |
|        | 1/8" CARDBOARD SPACER (PUT IN BETWEEN EVERY PANEL)          |
|        | DIVIDER   |
|        | 1/4" WHITE FOAM (USED AS PROTECTION DOOR PANELS W/ LOCKS)   |

