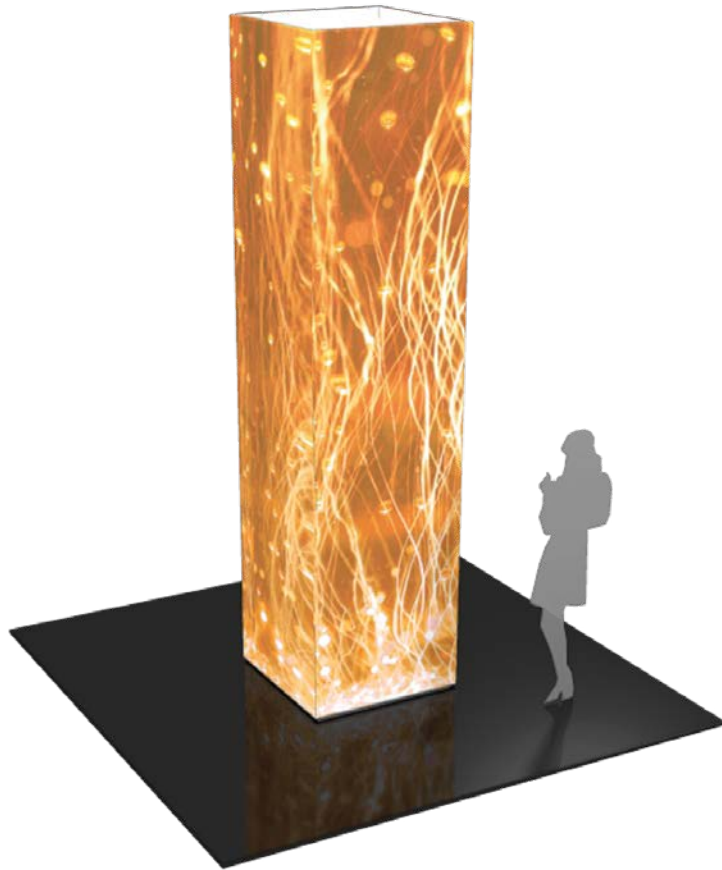


12' Four-Sided Event Column

Mix and match any of our fabric covered event towers to add architecture & drama to any event or interior space. Rectangular-shaped towers come in 12 ft, 10 ft and 8 ft heights and 3 ft square at the top and bottom. They combine the latest developments in fabric printed technology with aluminum tube frames to add dimension, decor and sculpture to any event, stage set, tradeshow booth or interior space. Our event towers accommodate internal LED lighting to create a glowing effect.



features and benefits:

- State-of-the-art 30mm aluminum tube frame with snap button assembly
- Easy to store and ship
- Quick to set up
- Kit includes: one frame, one dye-sublimated zipper pillowcase graphic, and one wheeled molded storage case
- Lifetime hardware warranty against manufacturer defects

dimensions:

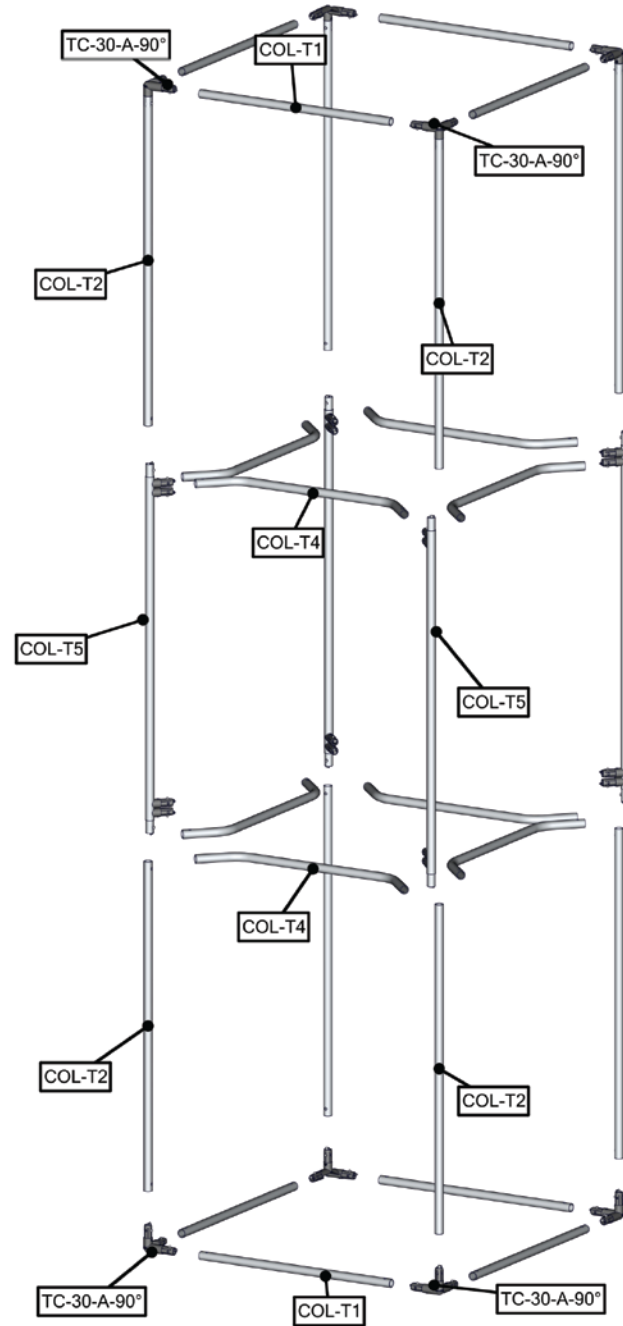
| Hardware | Graphic |
|---|--|
| <p>Assembled unit: 36"l x 36"w x 144"h</p> <p>Approximate weight (includes graphic): 34.76 lbs / 15.76</p> | <p>Total visual area: 36"w x 144"h, four prints</p> <p>Please be sure to include 5" bleed around the perimeter.</p> <p>Refer to related graphic template for more information.</p> |
| <p>Shipping</p> <p>Shipping dimensions: 1 case: 19"l x 19"w x 56"h 483mm(l) x 483mm(w) x 1422mm(h)</p> <p>Approximate shipping weight (with case): 54.76 lbs / 24.84 kg</p> | <p>Graphic material: dye-sublimated zipper pillowcase graphic with opaque liner</p> |



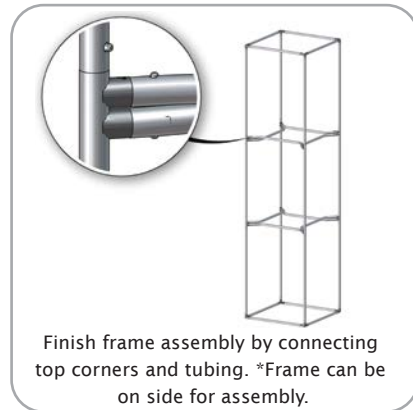
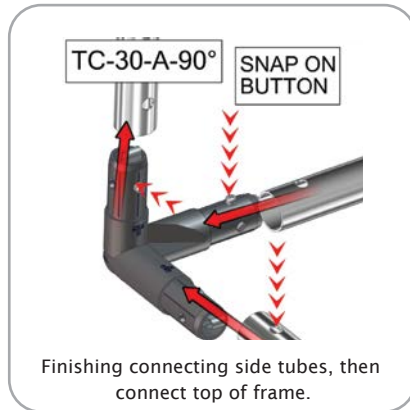
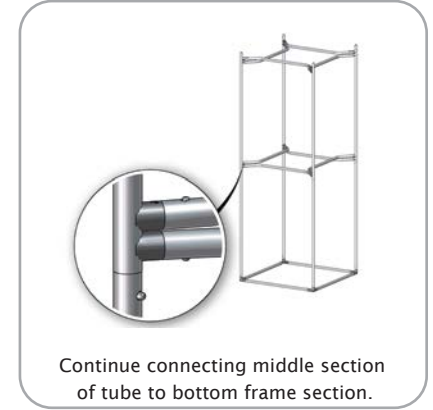
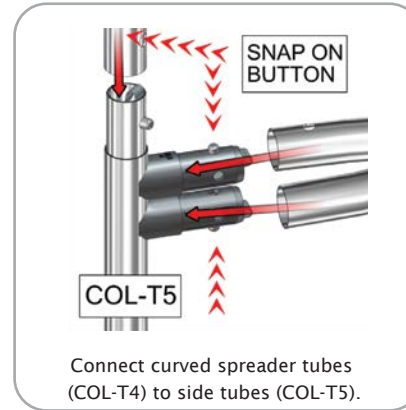
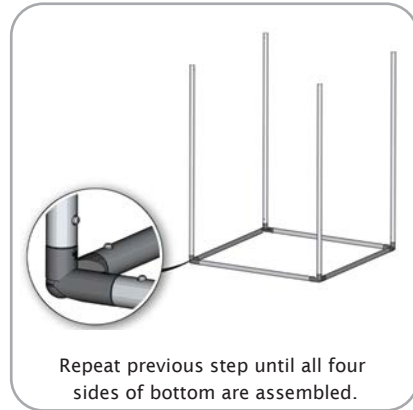
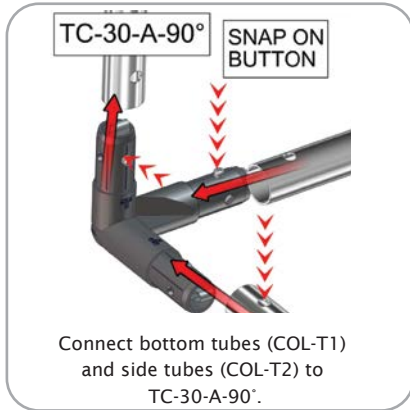
2010 Hancock Street
San Diego, CA 92110
800.697.4670
info@beautifuldisplays.com

Parts Included

| Part Label | Qty | Part Code |
|---------------------------------------|-----|-------------|
| 760MM X 30MM TUBE | x8 | COL-T1 |
| 1130MM X 30MM TUBE | x8 | COL-T2 |
| 30MM CURVED SPREADER | x8 | COL-T4 |
| 1217MM X 30MM SWAGED TUBE WITH PART C | x4 | COL-T5 |
| TC-30-A ASSEMBLED AT 90° | x8 | TC-30-A-90° |
| 12' FOUR SIDED TOWER GRAPHIC | x1 | COL-01-G |



STEP 1: ASSEMBLE FRAME



STEP 2: ATTACH GRAPHIC

